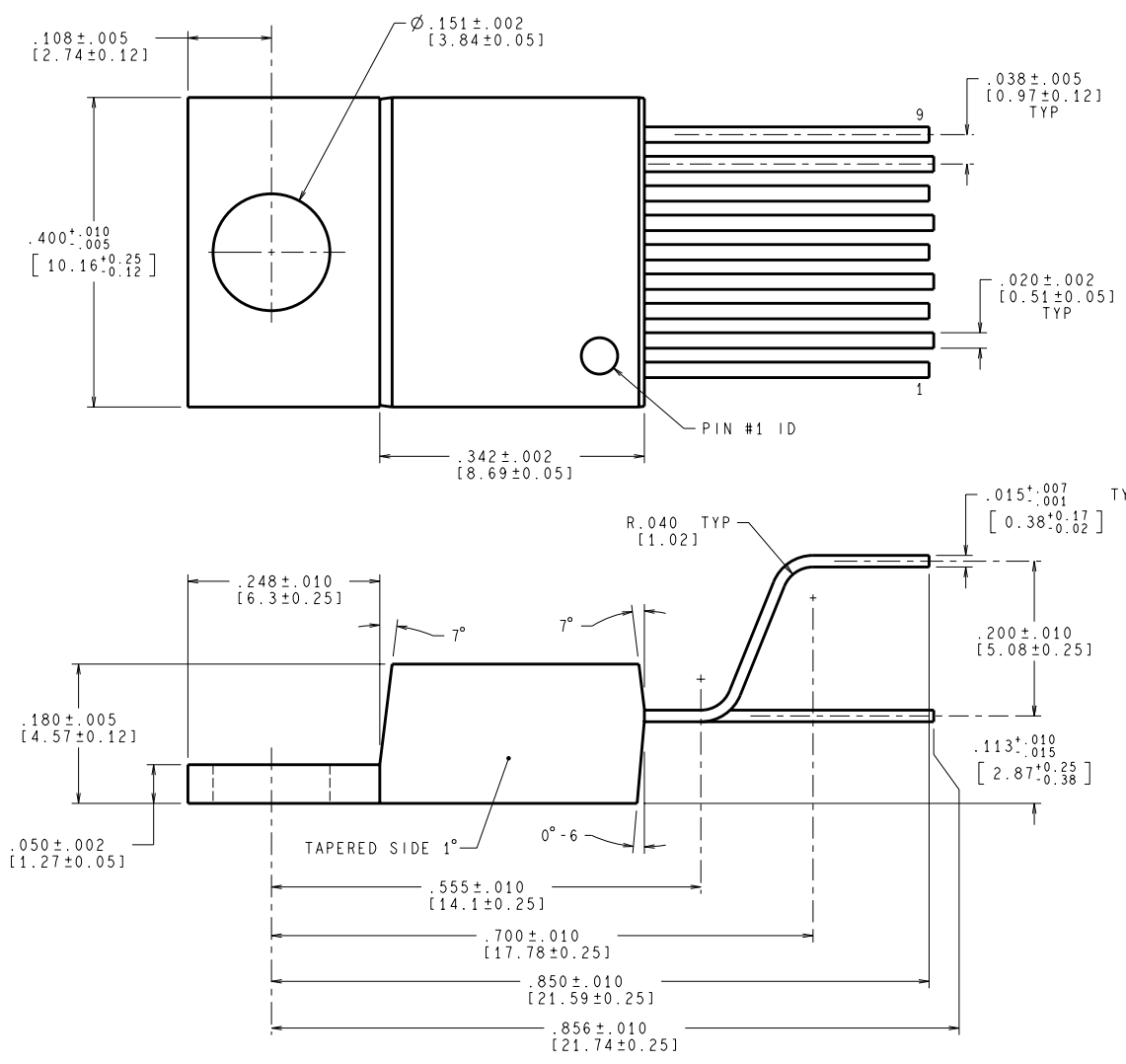


REVISIONS				
LTR	DESCRIPTION	E.C.N.	DATE	BY/APP'D
A	RELEASE TO DOCUMENT CONTROL	11497	06/20/1996	MS/PS
B	STR LEAD LNTH .856 WAS .890	12164	03/30/1999	NR/MS/NR
C	DWG NUMBER WAS MKT-TA9A	12260	07/19/1999	TL/



CONTROLLING DIMENSION IS INCH  
VALUES IN [ ] ARE MILLIMETERS

NOTES: UNLESS OTHERWISE SPECIFIED

- STANDARD LEAD FINISH:  
200 MICROINCHES / 5.08 MICROMETERS MINIMUM LEAD/TIN  
15/85 ON OLIN 194 COPPER OR EQUIVALENT.
- MAXIMUM VERTICAL BURR ON HEATSINK NOT TO EXCEED  
.003 IN/ 0.08 mm.
- NO PACKAGE CHIPS, CRACKS OR SURFACE INDENTATION ALLOWED  
AFTER FORMING.
- NO JEDEC REGISTRATION AS OF MARCH 1999.

APPROVALS	DATE	National Semiconductor			
DRAWN <b>MARTA SUCHY</b>	06/20/1996	2900 Semiconductor dr. Santa Clara, CA 95052-8090			
DFTG. CHK.		TO-220, MOLDED, 9 LEAD, STAGGERED			
ENGR. CHK.					
PROJECTION INCH (MM)		SCALE N/A	SIZE C	DRAWING NUMBER (SC)MKT-TA09A	REV C
		DO NOT SCALE DRAWING SHEET 1 of 1			