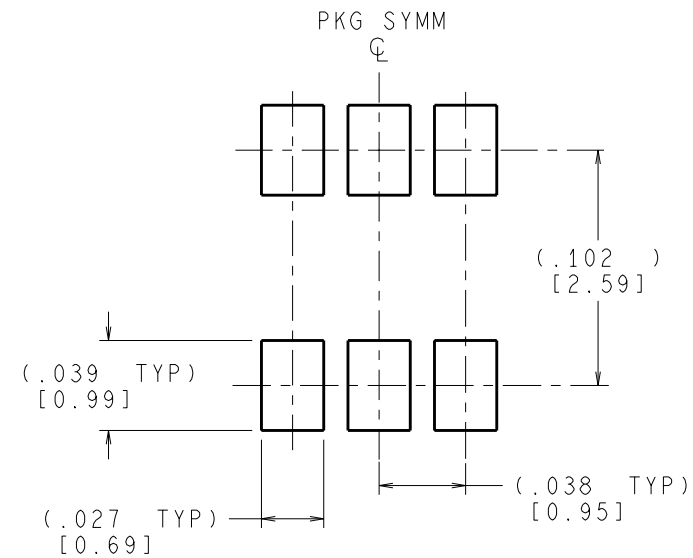
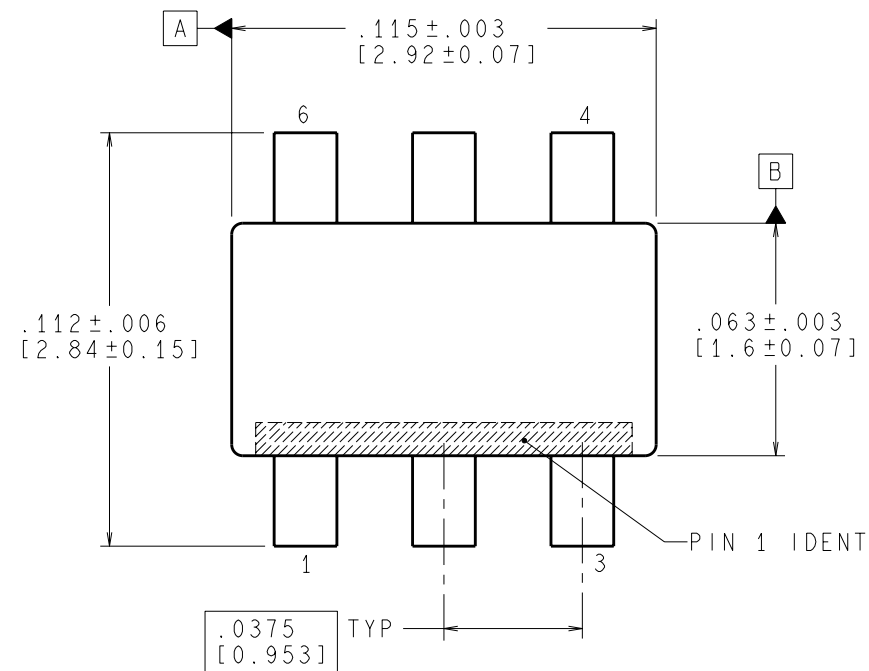
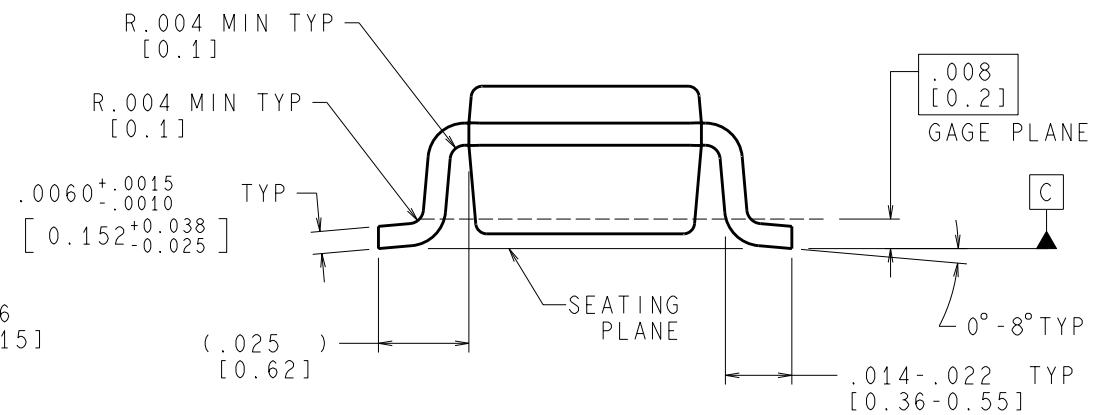
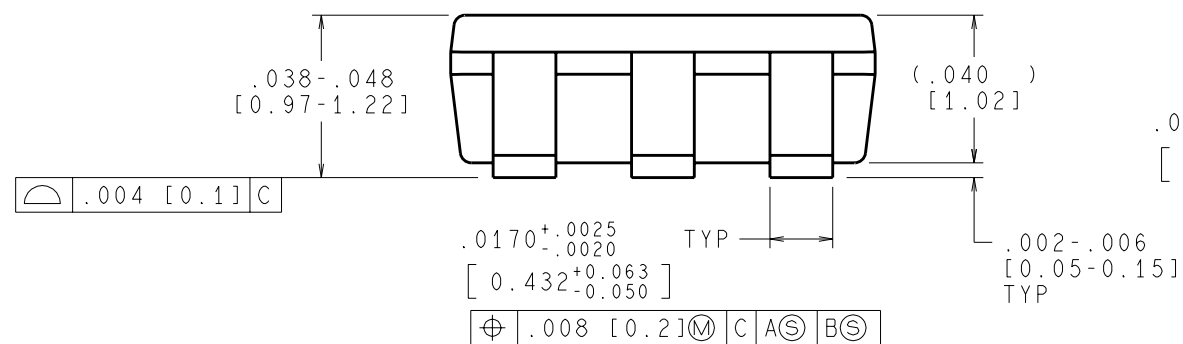


REVISIONS				
LTR	DESCRIPTION	E.C.N.	DATE	BY/APP'D
A	RELEASE TO DOCUMENT CONTROL	12345	01/13/2000	TL/RW



**LAND PATTERN RECOMMENDATION**



CONTROLLING DIMENSION IS INCH  
 VALUES IN [ ] ARE MILLIMETERS

NOTES: UNLESS OTHERWISE SPECIFIED

- STANDARD LEAD FINISH TO BE 200 MICROMETERS/ 5.08 MICROMETERS MINIMUM TIN/LEAD (SOLDER) ON COPPER.
- NO JEDEC REGISTRATION AS OF JANUARY 2000.

APPROVALS	DATE	National Semiconductor 2900 Semiconductor Dr., Santa Clara, CA 95052-8090			
DRAWN T. LEQUANG	01/13/2000	<b>MOLDED SOT-23, .115 X .063 X .040 IN BODY, 6 LD, .0375 IN PITCH</b>			
DFTG. CHK. MARTA SUCHY	01/13/2000				
ENGR. CHK. RANDY WALBERG	01/13/2000				
PROJECTION	INCH [MM]	SCALE N/A	SIZE C	DRAWING NUMBER (SC)MKT-MF06A	REV A
		FORMERLY: N/A	SHEET 1 of 1		