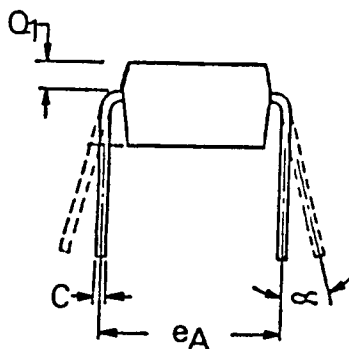
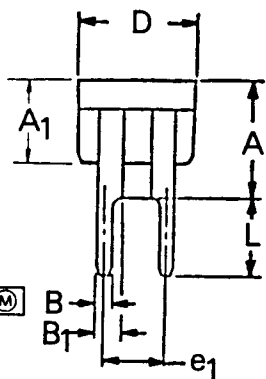
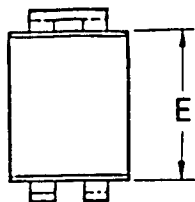


NOTES :

1. REFER TO APPLICABLE SYMBOL LIST.
2. DIMENSIONING AND TOLERANCING PER ANSI Y14.5M, 1982.
3. CONTROLLING DIMENSION: MILLIMETERS.



VARIATIONS (ALL DIMENSIONS SHOWN IN MILLIMETERS)

SYMBOL	VARIATIONS (ALL DIMENSIONS SHOWN IN MILLIMETERS)											
	AA		NOTE			NOTE			NOTE			NOTE
	MIN.	MAX.		MIN.	MAX.		MIN.	MAX.		MIN.	MAX.	
A	4.07	4.57										
A <sub>1</sub>	2.16	2.41										
B	.51	.60										
B <sub>1</sub>	.89	1.14										
C	.34	.45										
D	4.95	5.02										
E	6.05	6.29										
e <sub>1</sub>	2.54	BSC										
e <sub>A</sub>	7.62	-										
L	3.56	4.06										
Q <sub>1</sub>	.87	1.11										
α	0°	15°										
NOTE	1, 2, 3											
REF.												
ISSUE												

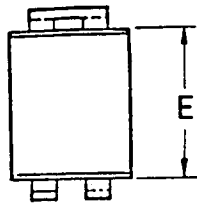
JEDEC  
SOLID STATE PRODUCT  
OUTLINES

TITLE DUAL-IN-LINE (DIP)  
FAMILY. 300 ROW SPACING

ISSUE  
A

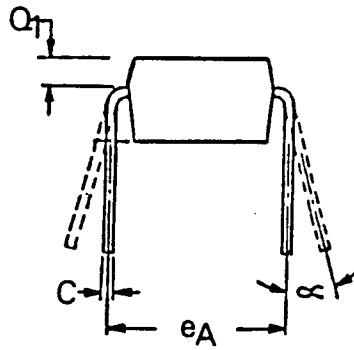
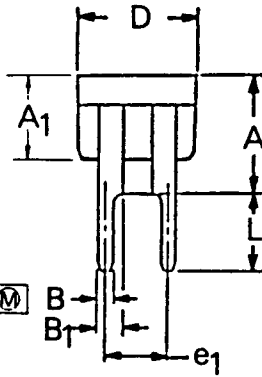
DATE  
7/16/85

TO-250



**NOTES :**

1. REFER TO APPLICABLE SYMBOL LIST.
2. DIMENSIONING AND TOLERANCING PER ANSI Y14.5M, 1982.
3. CONTROLLING DIMENSION: MILLIMETERS.



**VARIATIONS**

ALL DIMENSIONS SHOWN IN INCHES.

SYMBOL	AA		NOTE			NOTE			NOTE			FIT-TOZ	
	MIN.	MAX.		MIN.	MAX.		MIN.	MAX.		MIN.	MAX.		
A	.160	.180											
A <sub>1</sub>	.085	.095											
B	.020	.024											
B <sub>1</sub>	.035	.045											
C	.013	.017											
D	.194	.198											
E	.238	.248											
e <sub>1</sub>	.100	BSC											
e <sub>A</sub>	.300	-											
L	.140	.160											
Q <sub>1</sub>	.034 0°	.044 15°											
NOTE	1,2,3												
REF.	Item 120												
ISSUE													
JEDEC SOLID STATE PRODUCT OUTLINES			TITLE DUAL-IN-LINE (DIP) FAMILY 300 ROW SPACING				ISSUE A		DATE 7/16/85		TO-250		